

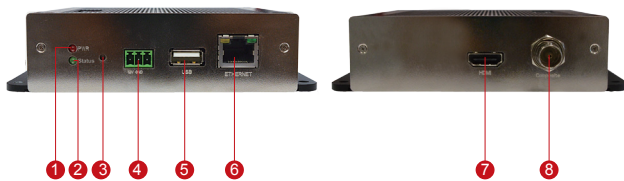
ECD-1000

16-Channel Megapixel H.264 Media Display Station



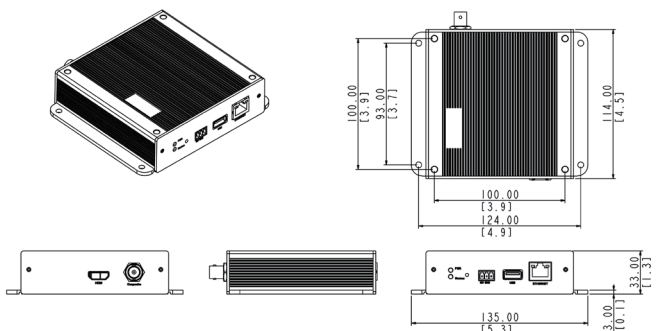
- Special media display station for large TV panels away from video control room
- Support up to 16 channels
- Video source up to 10-Megapixel supported
- HDMI output with 1080p resolution
- BNC output for NTSC or PAL standard
- Display video or slide show on signage channels through Digital Signage Station 1 software
- Easy Installation with surface, VESA or pole mounts
- USB port for mouse control
- Powered by PoE Class 3 / DC 12V
- ONVIF Support

PHOTO INDICATION



- | | |
|----------------------|-----------------------------------|
| 1 Power LED | 5 USB Port |
| 2 System Ready LED | 6 Ethernet Port |
| 3 Reset Button | 7 HDMI Port |
| 4 DC 12V Power Input | 8 Analog Video Output (Composite) |

DIMENSION DIAGRAM



Unit: mm [inch]

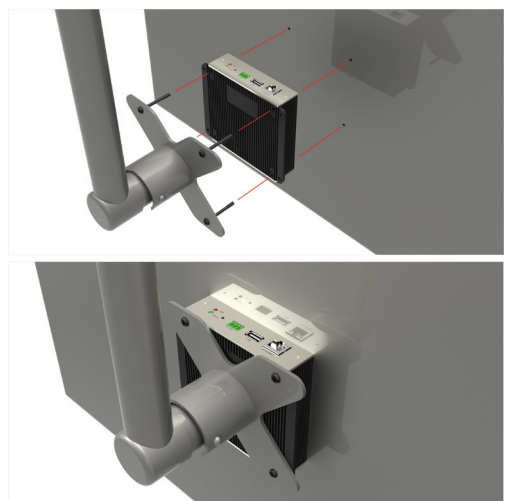
MOUNTING SOLUTIONS

Surface Mount | Accessories not required

Pole Mount (Bundled)



VESA Mount



PRODUCT SPECIFICATION**ECD-1000****• General**

Device Type	Media Display Station
Number of Channels	16
Max. Networking Throughput	40 Mbps
Max. Camera Resolution	Local: up to 2 Megapixels ; Remote: up to 10 Megapixels
Frame Rate	1~30 fps
Compression	H.264
Audio	PCM, G.711 a-law/u-law; 1-way Audio from camera to local HDMI

• Live View

Video Layout	1, 2, 4, 9, 12, 16, 1+5, 1+7, 1+12, 2+4, 2+8
Output Standard	HDTV standard up to 1080P, 25/30/50/60Hz; NTSC standard (equivalent to 720 x 480); PAL standard (equivalent to 720 x 576)
Digital Signage	Display videos or slide shows on signage channels through Digital Signage Station 1 software remotely

• PTZ

Control	Pan, tilt and zoom controls; speed control
Preset Points and Tours	Go/set preset points
Number of Preset Points	32
Number of Preset Tours	32
Joystick	USB based joystick supported
Default Protocol	URL command

• Network

Protocol & Service	TCP, UDP, IP, HTTP, HTTPS, RTP, RTSP, ICMP, ARP, UPnP
Ethernet Port	1, Ethernet (10/100 Base-T), RJ-45 connector
Security	Password protected user levels

• Alarm

Alarm Trigger	Network loss, Video loss
Alarm Response	Beep

• Interface

Analog Video Output	1, BNC connector
HDMI Output	1, HDMI Type A
USB	1, USB 2.0

• System

Permission Control	Multi-group/users, liveview/setup/remote level permission
Operating System	Embedded Linux
System Status Monitor	Real time status reports on remote browser
Language	Multi-language support

• Remote Access

PC Web Browser	Microsoft Internet Explorer 9, 10 or 11
PC Operating System	Windows 7, Windows 8
Remote Client PC System Requirement	Intel Core 2 Quad 2.66 GHz, 32/64-bit, 4GB RAM

• Hardware

Power Source / Consumption	PoE Class 3 (IEEE802.3af) / 8.5 W DC 12V / 7 W
Weight	566 g (1.25 lb)
Dimensions (W x H x D)	135 mm x 114 mm x 33 mm (5.3" x 4.5" x 1.3")
Bundled Accessories	Bracket (mount for 1"~2" diameter pipe); Power adapter
Mount Type	Surface, Pole, VESA (10 cm x 10 cm)
Operating Temperature	0°C ~ 50°C (32°F ~ 122°F)
Operating Humidity	10% ~ 85% RH
Approvals	CE (EN 55022 Class B, EN 55024), FCC (Part15 Subpart B Class B)

• Integration

Unified Solution	Fully compatible with ACTi cameras and encoders
Open Platform Solution	Support ONVIF compliant devices
Firmware Access Browser	Microsoft Internet Explorer 9.0 or newer

* All specifications are subject to change without notice.

* All brand names and registered trademarks are the property of their respective owners.

www.acti.com