

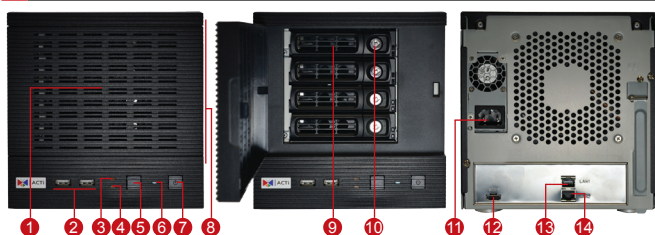
# ENR-140

## 16-Channel Desktop Standalone NVR



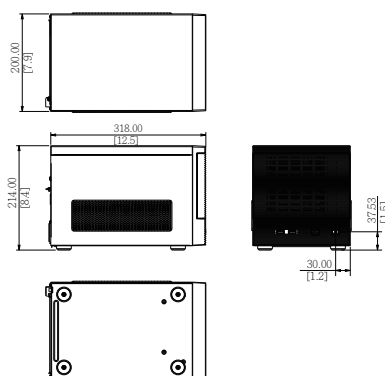
- 4-bay desktop
- Manage up to 16 cameras or video encoders
- Recording up to 16 channels
- Live view local up to 16 channels, remote up to 16 channels
- Synchronized playback local up to 16 channels
- Built-in DHCP server
- Export video with RAW and AVI formats
- Event trigger, response and notification
- Mobile Client, Web Client
- 16-channel free license included

### PHOTO INDICATION



- |                                 |                   |
|---------------------------------|-------------------|
| 1 Storage Disk Bays             | 8 Disk Bays Cover |
| 2 USB 2.0 Ports                 | 9 Hinge Tab       |
| 3 System/Restoration Status LED | 10 Lock Tab       |
| 4 HDD Read/Write Status LED     | 11 Power Source   |
| 5 Reset Button                  | 12 HDMI Port      |
| 6 Power Status LED              | 13 LAN1           |
| 7 Power Button                  | 14 LAN2           |

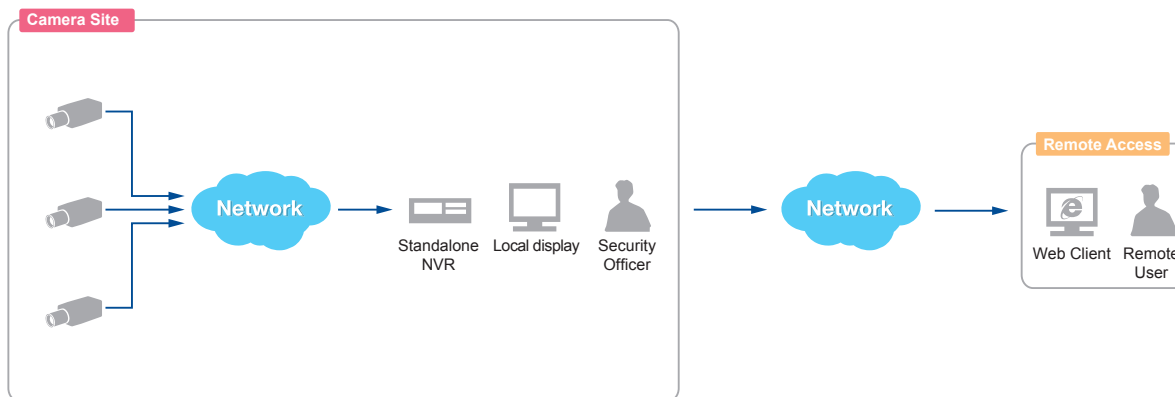
### DIMENSION DIAGRAM



Unit: mm [inch]

### SOLUTION ARCHITECTURE

#### Standalone NVR



Remote User: Administrator / Supervisor / Manager / Security Officer

**PRODUCT SPECIFICATION****ENR-140**

• General	
Full Name	ACTi Standalone Network Video Recorder ENR-140
Maximum Number of Clients	1 local, 2 remote
Maximum Number of Cameras	16
Video Compression	H.264
Audio Compression	PCM, G.711 a-law/u-law (Only support local recording and remote live view/playback, not support local live view/playback)
Maximum Camera Resolution	Up to 4-Megapixel (local display), Up to 10-Megapixel (remote display)
• Live View	
Display Layout Mode	1, 2, 4, 6, 8, 9, 10, 12, 13, 16
Layout Tour (Auto Patrol)	Automatic switch between different display layouts
Digital Panel	Zoom in digitally by mouse
Event status	Display status for network/record/motion/DI/video loss upon every video region
Dual Stream Management	Live view of stream 1 or stream 2 of dual stream devices
Fisheye Camera View	Up to 4-channel Dewarping view modes for ACTi fisheye lens cameras (Only supports local recording and remote live view/playback)
• PTZ	
Control	Pan, tilt and zoom controls; speed control
Preset Points and Tours	Go/set preset points
Number of Preset Points	32
Joystick	USB based joystick supported
Default Protocol	URL command
• Recording	
Scheduled Recording	Record video with user defined schedule
Event Recording	Record video when the alarm event is triggered, including the pre-event buffered video clip
Event Speed-up Recording	Record 1 frame only in normal status, and record full frames when the alarm event is triggered
Manual Recording	Instant recording upon mouse click
Recording Frame Rate	Max 480 fps total; Max 30 fps per camera
Maximum Recording Throughput	48 Mbps
Dual Stream Management	Recording of stream 1 or stream 2 of dual stream devices
• Storage	
Interface	Serial ATA
Maximum HDD Capacity	6T x 4
HDD Bay	Maximum 4 disks (disk not included)
• Search & Playback	
Time Based Video Search	Search video recordings by time, channel or bookmark
Event Based Video Search	Search event triggered video recordings
Playback Control	Forward and backward playback with speeds 1/2x-1x-32x; pause; stop
Synchronized Playback	16 channels
Manual Snapshot	Create snapshot from playback for export
Video Cropping	Crop a short video clip from long recording file and save it as an independent file; video clip length:(1-30mins)
Video Export	Export video clips in AVI/RAW format
• Event Management	
Event Trigger	Video motion detection; External device through digital input; Network loss and recovery
Event Response	Record video; Play alert beep; Activate external device through digital output; E-mail notification with snapshots; Enlarge; video loss; Pop-up instant playback; Go to PTZ preset point
• System	
Permission Control	Multi-group/users, liveview/playback/setup/remote level permission
Operating System	Embedded Linux
System Status Monitor	Real time status reports on remote browser
Language	Multi-language support
• Remote Access	
PC Web Browser	Microsoft Internet Explorer 9, 10 or 11
Remote Client PC System Requirement	Intel Core 2 Quad 2.66 GHz, 32/64-bit, 4GB RAM
Mobile Client Program	Mobile device application (ACTi Mobile Client) supports live view, PTZ control, event or time based search and playback Supported devices: iPhone, iPad, iTouch and Android device
• Network	
Protocol & Service	IPv4, IPv6*, TCP/IP, UDP, HTTP, HTTPS, DHCP (server / client), PPPoE, RTP, RTSP, DNS, DDNS, NTP (SNTP), ICMP, ARP, SMTP, UPnP (* To be available through future Firmware upgrade)
Ethernet Port	LAN1: Ethernet (1000 Base-T), RJ-45 connector LAN2: Ethernet (10/100 Base-T), RJ-45 connector
Security	HTTPS encryption; Password protected user levels
• Hardware	
Dimensions (W x H x D)	328 mm x 204 mm x 214 mm ( 12.9" x 8.0" x 8.4")
Weight	5.32kg
Operating Temperature	0°C~ 40°C (32°F ~ 104°F)
Operating Humidity	10% ~ 85% RH
Power Source / Consumption	100-240V AC 50/60 Hz ; 40W
Bundled Accessories	Warranty Card / Power cord (US type) / QIG / Mouse / Universal Converter / HDD screws x 16
Approvals	ENR-140: CE (EN 55022 Class B, EN 55024), FCC (Part15 Subpart B Class B) ; Adapter: CE, FCC, UL, PSE, Efficiency Level V
USB	USB 2.0, 2 ports
Display port	HDMI
• Integration	
Unified Solution	Fully compatible with ACTi cameras, encoders, central management system, TV wall and intelligent video surveillance software
Open Platform Solution	Support ONVIF compliant devices

\* All specifications are subject to change without notice.

\* All brand names and registered trademarks are the property of their respective owners.

www.acti.com

