

VB-H43, VB-H43B



Keep every angle covered

The VB-H43 Full HD PTZ IP security camera combines a powerful 240x zoom, low-light capability and fast auto-focus. Flexible installation options for indoor and outdoor use.



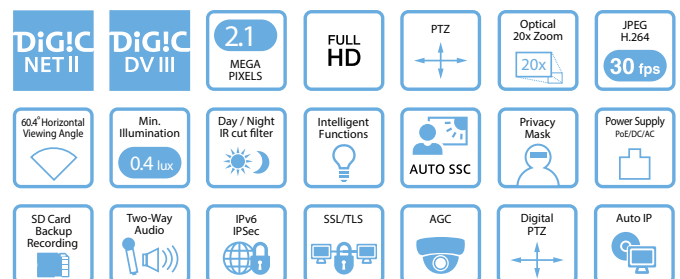
With DR41-C-VB Indoor Clear Dome Housing



- Full HD PTZ IP security camera
- Powerful 20x optical zoom lens with 12x digital zoom and fast autofocus
- True Day / Night and two-way audio
- Superior image quality using Canon DIGIC DV III processor
- Canon DIGIC NET II supports dual H.264 video streams (up to 30 fps)
- Superior low-light performance: colour at 0.4 lux and mono at 0.02 lux
- Auto Smart Shade Control (Auto-SSC) improves foreground objects in bright backlit scenes
- Intelligent Functions and ONVIF v2.4 (Profile S) compliant
- Two colour options: Silver (VB-H43) and Black (VB-H43B)

Product Range:

VB-H43 Full HD PTZ camera,
VB-M42 1.3MP PTZ camera,
VB-S30D Full HD ultra-compact PTZ camera,
VB-S31D Full HD ultra-compact PT camera



Technical Specifications

VB-H43, VB-H43B

IMAGE SENSOR

Type 1/3 type CMOS (primary colour filter)
Number of Pixels Approx. 2.1 million pixels
Scanning System Progressive

OPTICS

Zoom Magnification and Control 20x optical (12x digital zoom) zoom lens with auto focus
Focal Length 4.7 (W) - 94 mm (T)
Horizontal Field of View 60.4° (W) - 3.2° (T)
Vertical Field of View 35.1° (W) - 1.8° (T)
Lens F-Number F1.6 (W) - F3.5 (T)
Minimum Subject Illumination
 Day Mode (colour):
 0.4 lux (F1.6, shutter speed 1/30 sec., smart shade control off, 50IRE)
 0.03 lux (F1.6, shutter speed 1/2 sec., smart shade control off, 50IRE)
 0.01 lux (F1.6, shutter speed 1/2 sec., smart shade control on, 50IRE)
 Digital Night Mode (monochrome):
 0.02 lux (F1.6, shutter speed 1/30 sec., smart shade control off, 50IRE)
 0.002 lux (F1.6, shutter speed 1/2 sec., smart shade control off, 50IRE)
 0.001 lux (F1.6, shutter speed 1/2 sec., smart shade control on, 50IRE)

Focus Control Auto / One-shot AF / Manual / Fixed at infinity
Focusing Region Day Mode: 0.3 m - infinity (wide) / 1.0 m - infinity (telephoto)
 Night Mode: 1.0 m - infinity (wide) / 1.5 m - infinity (telephoto)
Shutter Speed 1, 1/2, 1/4, 1/8, 1/15, 1/30, 1/60, 1/100, 1/120, 1/250, 1/500, 1/1000, 1/2000, 1/4000, 1/8000, 1/16000 sec.
White Balance Auto / Light Source (Daylight Fluorescent / White Fluorescent / Warm Fluorescent / Mercury Lamp / Sodium Lamp / Halogen Lamp) / Manual (One-shot WB/R Gain / B Gain)
Imaging Modes Day Mode, Night Mode (Auto / Manual)
Metering Modes Center-Weighted / Average/Spot
Exposure Auto / Auto (Flickerless) / Auto (Shutter-priority AE) / Manual (Shutter Speed, Gain)
Exposure Compensation 9 levels
Shade Correction Canon Smart Shade Control (SSC), Manual with 7 levels, Auto with 3 levels, Disable
AGC Limit 5 levels

SERVER UNIT

Video Compression Method H.264, JPEG
Video Output Size JPEG, H.264: 1920 x 1080, 960 x 540, 480 x 270
 1280 x 720, 640 x 360, 320 x 180
 1280 x 960, 640 x 480, 320 x 240
Video Quality JPEG, H.264: 5 levels of compression
Frame Rate JPEG: 0.1 - 30 fps^[1]
 H.264: 1/2 / 3 / 5 / 6 / 10 / 15 / 30 fps^[1]
Multi-Streaming When streaming H.264(1) (1920 x 1080) and H.264(2) (all sizes) simultaneously: 15 fps
 When streaming H.264(1) (all sizes) and H.264(2) (1920 x 1080) simultaneously: 15 fps
I-Frame Interval 0.5 / 1 / 1.5 / 2 / 3 / 4 / 5 sec.
Simultaneous Distribution JPEG: Max. 30 Clients + 1 Admin Client
 H.264: Max. 10 Clients
Audio Communication Sound Transfer Protocol by Canon
Audio Compression Method G.711 μ-law (64 kbps)

Supported Protocols

IPv4: TCP/IP, UDP, HTTP, FTP, SNMP (MIB2), SMTP (Client), DHCP (Client), DNS (Client), ARP, ICMP, POP3, NTP, SMTP authentication, RTSP, WV-HTTP (Canon proprietary), ONVIF
 IPv6: TCP/IP, UDP, HTTP, FTP, SMTP (Client), DHCPv6 (Client), DNS (Client), ICMPv6, POP3, NTP, SMTP authentication, RTSP, WV-HTTP (Canon proprietary), ONVIF

AutoIP

Encrypted Communications Available
IEEE 802.1X Available
Privacy Mask Available

View Restriction

Camera Access Control

Camera Access Levels

Event Trigger Type

Event Notification

Custom Settings

Available
 SSL/TLS, IPsec (Auto Key Exchange / Manual)
 EAP-MD5, EAP-TLS, EAP-TTLS, EAP-PEAP
 Number of registration: Max. 8 places,
 Number of mask colours: 1 (select from 9 colours)
 Available
 User authority (user name and password), Host Access Restrictions (IPv4, IPv6)
 3 user levels: Administrator / Authorised User / Guest User
 External Device Input, Timer, Intelligent Function (Video), Intelligent Function (Volume)
 HTTP/SMTP (e-mail)
 Number of registers: 4
 Items to Reg.: Pan / Tilt / Zoom, Exposure, Smart Shade Control, Focus, White Balance, Image Quality Adjustment, Day / Night

EMBEDDED ANALYTICS

Video Content Analytics

Moving Object Detection, Abandoned Object Detection, Removed Object Detection, Camera Tampering Detection and Passing Detection (Max of 15 detections per camera)
 Volume Detection

Audio

CONNECTORS

Network Interface

Audio Input (Mic In / Line In)

Audio Output (Line Out)

External Device I/O Terminals

Memory Card

LAN x 1 (RJ45, 100Base-TX (auto / full-duplex / half-duplex))

3.5 mm mono mini-jack

3.5 mm mono mini-jack

2 x Inputs / 2 x Outputs

SD Memory Card, SDHC Memory Card, SDXC Memory Card Compatible.

MECHANISMS

Pan Angle Range

Tilt Angle Range

Maximum Rotation Speed

Preset Positions

340° (±170°)

100° (Ceiling-mounted position: -90° to +10°)

Pan: Max. 150°/sec., Tilt: Max. 150°/sec.

Max. 20 frame positions

GENERAL

Dimensions (W x H)

Weight

Power Sources

Power Consumption

132 mm x 155 mm

Approx. 1140 g

PoE: PoE power supply via LAN cable (IEEE802.3af compliant)
 AC Adapter: PA-V17 or PA-V18 (100 - 240 V AC) (sold separately)
 External power source: 24 V AC / 12 V DC

When using PoE: Max. approx. 9.2 W

When using AC Adapter PA-V17: Max. approx. 10.7 W (100 V AC)
 Max. approx. 10.0 W (240 V AC)

When using AC Adapter PA-V18: Max. approx. 9.9 W (100 V AC)
 Max. approx. 9.4 W (240 V AC)

When using DC: Max. approx. 8.6 W

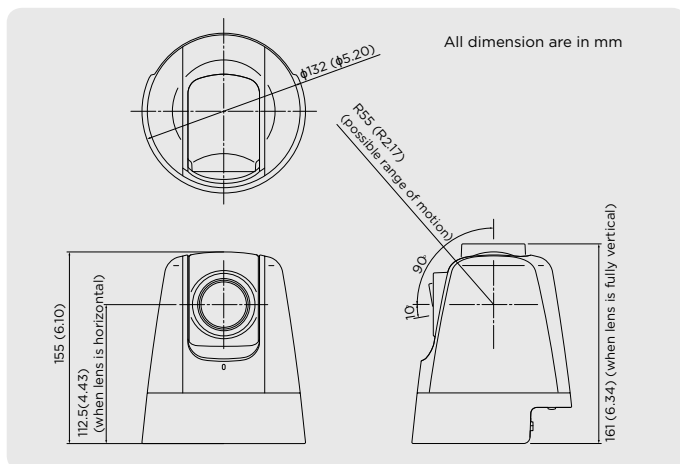
When using AC: Max. approx. 8.8 W

Operating Environment

Temperature: -10°C to +50°C, Humidity: 5% - 85% (without condensation)

^[1] - Values represent streaming performance from the camera.
 - The frame rate may be reduced due to Viewer PC's specs, the number of clients accessing at the same time, network loads, video quality setting, type or movement of the subject or other reasons.

Dimensions



Connectivity



- 1 **Network Interface** RJ45, 100Base-TX (Auto / Full-duplex / Half-duplex)
- 2 **Power Connection Terminal** 12V DC / 24V AC
- 3 **Audio Input** 3.5 mm mono mini-jack
- 4 **Audio Output** 3.5 mm mono mini-jack
- 5 **External Device I/O** 2 x Inputs / 2 x Outputs
- 6 **Memory Card Slot** SD, SDHC and SDXC Memory Card compatible