

VB-R11



Keep every angle covered

A 1.3 MP 30x zoom PTZ for indoor applications, which offers versatile high quality live monitoring even in low light and features continuous 360° rotation and Auto Flip for precise and responsive targeting.



With recessed mount kit



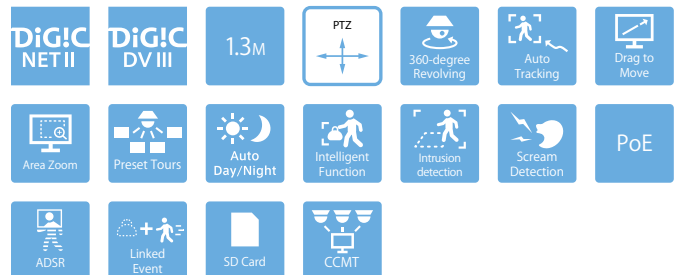
With pendant adapter



- 1.3 MP indoor continuous 360° PTZ with Auto-Flip for easy tracking of subjects
- Excellent low light performance, near or far, with f/1.4-4.6, 30x IR Corrected High-UD zoom lens with a wide 58.4° angle of view
- Effective and precise tracking of fast moving subjects with a highly accurate and responsive 450°/s Pan/Tilt mechanism
- Improved bandwidth control and easy setting of area specific image quality with ADSR technology
- Enhance your ability to identify alarming situations with inbuilt intelligent Intruder and Scream detection

Product Range

VB-R11
VB-H43/B
VB-M42/B



Technical Specifications

VB-R11

CAMERA	
Image Sensor	1/3 type CMOS (primary color filter)
Number of Effective Pixels	Approx. 1.3 million pixels
Scanning Method	Progressive
Lens	30x optical zoom (20x digital zoom) lens with auto focus
Focal Length	4.4 (W) - 132 mm (T) ¹⁾
F-number	F1.4 (W) - F4.6 (T)
Viewing Angle	For 16:9 aspect ratios: Horizontal: 58.4° (W) - 2.1° (T) Vertical: 34.1° (W) - 1.2° (T) For 4:3 aspect ratios Horizontal: 58.4° (W) - 2.1° (T) Vertical: 45.0° (W) - 1.6° (T)
Day/Night Switch	Auto / Manual
Min. Subject Illumination	(F1.4, shutter speed 1/30 sec., when smart shade control is off, 50IRE) Day Mode (colour): 0.03 lux Night Mode (mono): 0.002 lux When using the Dome Unit (Smoked) (sold separately) Day Mode (colour): 0.06 lux Night Mode (mono): 0.004 lux
Focus	Auto / One-shot AF / Manual / Fixed at infinity
Shooting Distance (from front of lens)	Day Mode: 0.3 m (12 in.) - infinity (W), 2.0 m (6.6 ft.) - infinity (T) Night Mode: 1.0 m (3.3 ft.) - infinity (W), 2.0 m (6.6 ft.) - infinity (T)
Shutter Speed	1, 1/2, 1/4, 1/8, 1/15, 1/30, 1/60, 1/100, 1/120, 1/250, 1/500, 1/1000, 1/2000, 1/4000, 1/8000, 1/10000, 1/16000 sec.
Exposure	Auto / Auto (Flickerless) / Auto (Shutter-priority AE) / Manual (Shutter Speed, Aperture, Gain)
White Balance	Auto / Light Source / Manual Light Source: Daylight Fluorescent / White Fluorescent / Warm Fluorescent / Mercury Lamp / Sodium Lamp / Halogen Lamp Manual: One-shot WB / R Gain / B Gain
Metering Mode	Center-Weighted / Average / Spot
Exposure Compensation	9 levels
Smart Shade Control	Auto / Manual / Disable Auto: 3 levels Manual: 7 levels - Brightens shaded areas of a video
Haze Compensation	Auto/Manual / Disable Auto: 3 levels Manual: 7 levels
AGC Limit	6 levels
Image Stabilizer	2 levels (digital)
Pan Angle Range	360°continuous panning
Tilt Angle Range	180° (ceiling-mounted position: 0° - 180°) - When the horizontal direction of the camera is 0°
Moving Speed	Pan: Max. 450°/sec. Tilt: Max. 450°/sec.
SERVER	
Video Compression Method	JPEG, H.264
Video Size	JPEG, H.264: 1280 x 720, 640 x 360, 320 x 180 1280 x 960, 640 x 480, 320 x 240
Video Quality	JPEG, H.264: 10 levels
Frame Rate	JPEG: 0.1 - 30 fps H.264: 1/2/3/5/6/10/15/30 fps - Values represent streaming performance from the camera. - The frame rate may be reduced due to Viewer computer's specs, the number of clients accessing at the same time, network loads, video quality setting, type or movement of the subject or other reasons. Maximum frame rate when used in the following combinations: When streaming H.264(1) (1280 x 720) and H.264(2) (1280 x 720) simultaneously: 15 fps When streaming H.264(1) (1280 x 960) and H.264(2) (1280 x 960) simultaneously: 15 fps
I-Frame Interval	0.5/1/1.5/2/3/4/5 sec.
Simultaneous Client Access	Max. 30 Clients + 1 Admin Client - H.264: Max. 10 Clients
Bit Rate Control	Target Bit Rate: 64 / 128 / 256 / 384 / 512 / 768 / 1024 / 2048 / 3072 / 4096 / 6144 / 8192 / 10240 / 12288 / 14336 / 16384 kbps
ADSR: Area-specific Data Size Reduction	Number of Specified Areas: Max. 8 areas
Security	Camera Control: Administrator, Authorized user, Guest user (level of control varies depending on user) Access Control: User authority (user name and password), Host Access Restrictions (IPv4, IPv6) IEEE802.1X: EAP-MD5, EAP-TLS, EAP-TTLS, EAP-PEAP Encrypted Communications: SSL/TLS, IPsec

Protocol	IPv4: TCP/IP, UDP, HTTP, FTP, SNMP (MIB2), SMTP (Client), DHCP (Client), DNS (Client), mDNS, ARP, ICMP, POP3 (Client), NTP (Client), SMTP authentication (POP before SMTP, SMTP-AUTH), AutoIP, RTP/RTCP, RTSP, SSL/TLS, IPsec, WV-HTTP (Canon proprietary), ONVIF (Profile S, Profile G) IPv6: TCP/IP, UDP, HTTP, FTP, SMTP (Client), DHCPv6 (Client), DNS (Client), mDNS, ICMPv6, POP3 (Client), NTP (Client), SMTP authentication (POP before SMTP, SMTP-AUTH), RTP/RTCP, RTSP, SSL/TLS, IPsec, WV-HTTP (Canon proprietary), ONVIF (Profile S, Profile G)
Audio Compression Method	G.711 µ-law (64 kbps)
Audio Communication Method	Full-duplex (two-way) - Echo cancellation function compliant RTP, Sound Transfer Protocol by Canon
Audio File Playback	Available (audio files can be played back when an event is triggered by the intelligent function or external device input.) - A third-party amplifier speaker is necessary
Privacy Mask	Number of registration: Max. 8 places, Number of mask colors: 1 (select from 9 colors)
View Restriction	Available
Preset	Number of registers: Max. 256 positions (+Home Position) Items to Reg.: Pan / Tilt / Zoom, Exposure, Smart Shade Control, Focus, White Balance, Video Quality Adjustment, Day / Night, Haze Compensation Number of Preset Tour Route: Max. 5
Intelligent Function (Video)	Detection Types: Moving Object Detection, Abandoned Object Detection, Removed Object Detection, Camera Tampering Detection, Passing Detection, Intrusion Detection, and Auto Tracking Detection Settings: Max. 15
Intelligent Function (Audio)	Volume Detection, Scream Detection
Event Trigger Type	External Device Input, Intelligent Function (Video), Intelligent Function (Audio), Timer, Day / Night Switch Number of Linked Events: 2 Linked Event Conditions: AND, OR (whether or not there is a sequence to events)
Image Upload	FTP/HTTP/SMTP (e-mail)
Event Notification	HTTP/SMTP (e-mail)
On-Screen Display	Available
Daylight Saving Time	Available
APPLICATION	
Viewer	Camera-side: Admin Viewer VB Viewer Client-side: RM-Lite Viewer
Admin Tools	Privacy Mask Setting Tool Panorama Creation Tool View Restriction Setting Tool Intelligent Function Setting Tool Log Viewer Recorded Video Utility
Included Software	Camera Management Tool RM-Lite Proxy Authentication Admin Tools/Admin Viewer
Language	German / English / Spanish / French / Italian / Russian / Turkish / Chinese (Simplified) / Japanese
Operating Environment (PC specifications and OS (does not apply to RM-Lite))	OS: Windows Vista Ultimate / Business / Enterprise / Home Premium SP2 32/64-bit Operating System Language: German / English / Spanish / French / Italian / Russian / Turkish / Chinese (Simplified) / Japanese - Language switching environment using language-packs is not supported Compatible Browser: Internet Explorer 8/9 32-bit Internet Explorer 10/11 - Must be configured to allow use of JavaScript, XAML browser applications, and IFRAME (html tag). - For VB Viewer only, cookies must be enable Software (Runtime Libraries) .NET Framework 3.5 SP1 (When using Internet Explorer 8/9) - Must be installed on Windows Vista and Windows Server 2008 systems .NET Framework 4.5 (When using Internet Explorer 10/11) - Must be installed on Windows 7 and Windows Server 2008 R2 systems CPU (Recommended) Intel Core i7-2600 or higher Graphics Board (Recommended) Not specified Memory (Recommended) 2 GB or higher Viewer Display (Recommended) 1920 x 1080 or higher

Technical Specifications

VB-R11

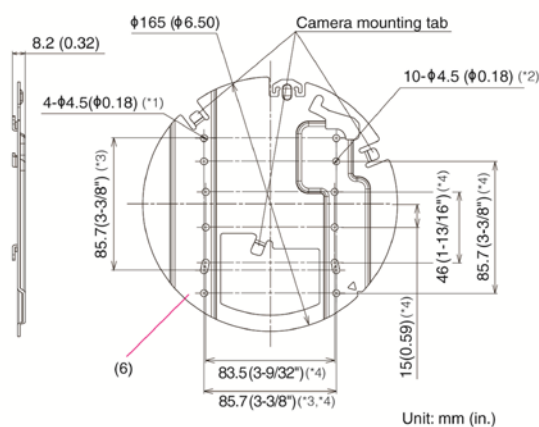
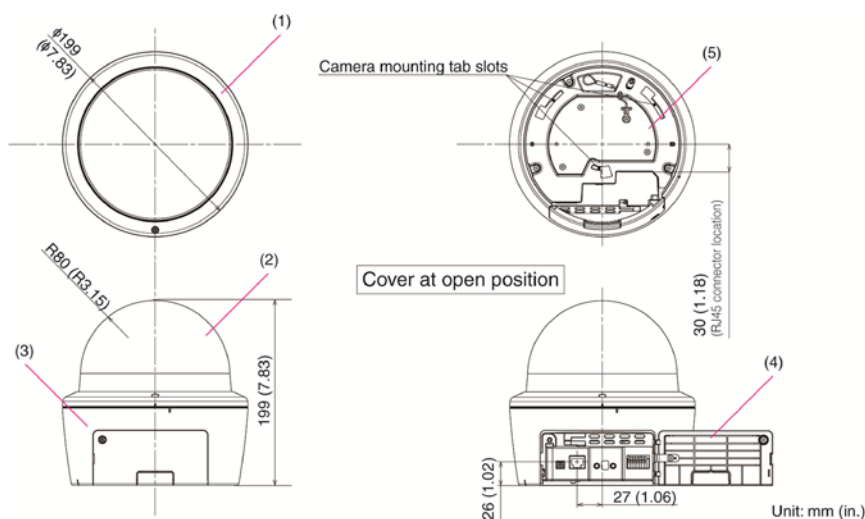
INTERFACE	
Network Terminal	LAN x 1 (RJ45, 100Base-TX (auto / full-duplex / half-duplex))
Audio Input Terminal (common for LINE IN & MIC IN)	φ3.5 mm (φ0.14 in.) mini-jack connector (monaural) LINE IN (connect to an amplifier microphone) or MIC IN (connect to a microphone w/o amplifier) - Switch LINE IN / MIC IN in the setting page.
Audio Output Terminal (LINE OUT)	φ3.5 mm (φ0.14 in.) mini-jack connector (monaural) LINE OUT (connect to an amplifier speaker)
External Device I/O Terminal	Input x 2, Output x 2
Memory Card	SD Memory Card, SDHC Memory Card, SDXC Memory Card Compatible. Recorded Content: Log, Video (Event, Manual, ONVIF, Timer, Upload) Frame Rate: Max. 1 fps (JPEG) Max. 30 fps (H.264)

OTHER	
Operating Environment	Temperature AC, DC, PoE: -10°C - +50°C (+14°F - +122°F) Humidity 5% - 85% (without condensation)
Power Supply	PoE: PoE power supply via LAN connector (IEEE802.3at Type1 compliant) AC Adapter: PA-V18 (100 - 240 V AC) (sold separately) External power source: 24 V AC/12 V DC
Power Consumption	PoE: Max. approx. 9.5 W AC Adapter PA-V18: Max. approx. 9.6 W (100 V AC) Max. approx. 9.8 W (240 V AC) DC: Max. approx. 8.8 W AC: Max. approx. 9.2 W
Dimensions	(φ x H) φ199 x 199 mm (φ7.83 x 7.83 in.) - Camera only (excluding Ceiling Plate)
Weight	Approx. 1990 g (4.39 lb.)

What's in the box?

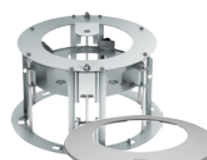
- VB-R11 Main Unit
- Setup CD-ROM
- Ceiling Plate
- Wrench
- Template
- Power Connector
- Installation Guide
- Warranty Card
- Leaflet of Warranty Card
- Packaging

Dimensions



- *1 Ceiling mount holes
- *2 Junction box fixing holes
- *3 Ceiling mount holes position
- *4 Junction box fixing holes position

Compatible Accessories



SR11-S-VB
Recessed mounting Kit



PC640-VB
Pendant Mounting Kit



PA-V17 / PA-V18
AC Power Supply
*Available in Euro 2-Pin & UK 3-Pin plug



SR11-P-VB
Plenum Recessed Mounting Kit
(Fire resistant)



DU10-S-VB
Smoked Dome Unit